



IT030

TUMBLE DRYER

FOR ON-PREMISES LAUNDRY APPLICATIONS

**INDUSTRIAL
BY DESIGN**



Over-dry Prevention Technology (OPT) offers unmatched levels of accuracy, resulting in a pinpoint dryness reading throughout the entire load. Specialized sensors located within the lifters are connected to our revolutionary rotary transfer switch to determine the exact moment your linens are dry, which helps eliminate overdrying and increases throughput. Additionally, it reduces utility consumption, saving hundreds of euros a year in unnecessary energy costs.

OPT is available in IPSO's OPTimum™ control, which offers 30 programmable drying cycles for greater operating efficiency and is easy to train staff to operate. It also delivers flexibility with simple customization of cycles. The OPTimum control is available on all IPSO-tumblers.

Unmatched Industrial Reliability

- Large door & door opening
 - Extra strong hinge
 - Reversible door
- Standard galvanized drum
 - Oval drum holes preventing damage from standard drywall screws
- Unique suspension system
 - At the rear: bearing
 - At the front: support rollers with bearings
- Large lint filter: deposit of lint into large storage area
 - Efficient drying
 - Self cleaning filter: no longer manual cleaning of the filter necessary
- Axial airflow
 - Drum perforations only at the front & at the back
 - Maximum airflow & less energy consumption: energy-efficient & short drying times
- Reversing
 - Prevents tangling of the linen
- CARE = Combustion Auto Response Equipped
 - A response to laundry combustion
 - Prevents early laundry fire by constantly monitoring the temperature in the drum
 - In case of excessive temperature, the linen is sprayed with water

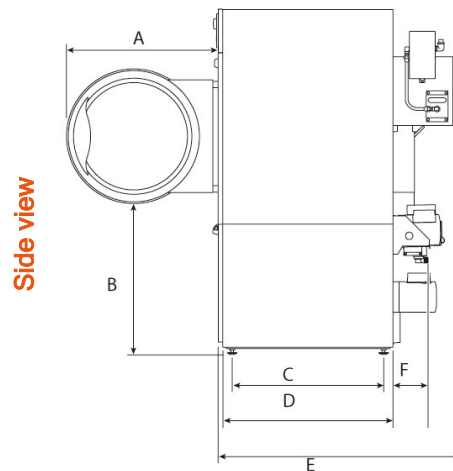
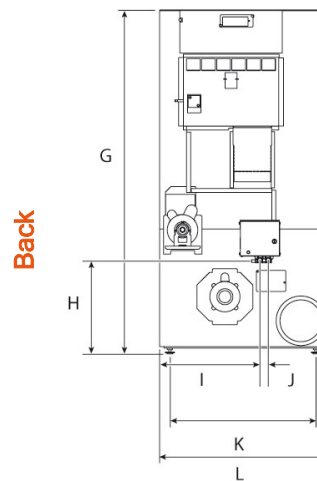
Easy to Use Simplicity

- Dual Digital Timer
 - Economic control
 - Easy to use
 - Select time, temperature and cooling time
- OPTimum control
 - Easy to operate
 - Easy to program
 - 30 programmable cycles
 - 3 cycle types
 - Time Dry: programmable time and temperature
 - Auto Dry: 11 programmable automatic dryness levels and programmable temperature
 - Moisture Dry: will dry to the programmed moisture level at programmed temperature

IT030

Technical specifications	
Filling ratio (20:1) (lb)	30
Dry weight capacity (lb)	30
Cylinder	
Volume (cu ft)	9.6
Diameter (inch)	26.5
Depth (inch)	30
Reversing door	optional
Door opening diameter (inch)	22.68
Temperature min (°F)	100.4
Temperature max (°F)	190.4
Power motor non-reversing	
Cylinder (hp)	0.25
Fan (hp)	0.25
Power motor reversing	
Cylinder (hp)	0.25
Fan (hp)	0.25
Exhaust flow rate (60 Hz) (cfm)	500
Diameter (inch)	6
Power	
Electric heating (kW)	21
Gas heating (Btu/h)	73,000
Gas heating (kcal)	18,390
Steam heating	
@ 6,9 bar (bhp) / (Btu/h)	3.9 / 135,000
@ 1.0 bar (bhp) / (Btu/h)	2.6 / 90,000
Steam connection inlet	3/4"
Steam connection outlet	3/4"
Gas connection	1/2"
Gas connection - Pressure NG/LP (mb)	20 / 28.37
Std Pkg Ship Dim. (HxWxD) (inch)	69 x 30 x 49
Noise level (dBA)	61
Weight - gross (lb)	364
Weight - nett (lb)	330
C.A.R.E.	optional

Type of heating	
Steam / gas heating 120/208-240/60/1	6.7A
Steam / gas heating 200-208/240/60/3	3.2A
Steam / gas heating (rev.) 200-208/240/60/3	4.0A
Steam / gas heating 460-480/60/3	1.6A
Steam / gas heating (rev.) 460-480/60/3	2A
Electric heating 208/60/1	108A
Electric heating 240/60/1	94A
Electric heating 200-208/60/3	62A
Electric heating (rev.) 200-208/60/3	62A
Electric heating 240/60/3	54A
Electric heating (rev.) 240/60/3	54A
Electric heating 460-480/60/3	27A
Electric heating (rev.) 460-480/60/3	27A



A 26.26 inch G 63.86 inch
 B 26.34 inch H 16.50 inch
 C 28.35 inch I 15.39 inch
 D 31.73 inch J 1.57 inch
 E 46.89 inch K 24.65 inch
 F 6.54 inch L 27.99 inch

All specifications subject to change without notice