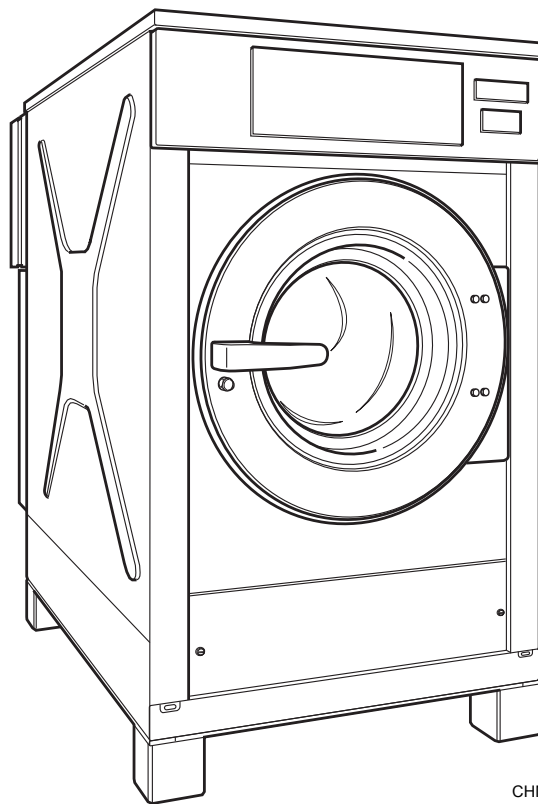


On-Premise Laundry Planning Handbook



CHM2172N

IHF Washer-Extractors

Refer to Installation manual for full instructions.



Table of Contents

| | |
|---|----|
| Washer-Extractors | 2 |
| Introduction | 2 |
| Model Identification - IHF Washer-Extractors | 2 |
| Specifications and Dimensions - Model IHF033 | 3 |
| Specifications and Dimensions - Model IHF045 | 5 |
| Specifications and Dimensions - Model IHF055 | 7 |
| Installation - Models IHF033, IHF045 and IHF055 | 10 |
| Specifications and Dimensions - Model IHF075 | 11 |
| Installation - Model IHF075 | 14 |
| Specifications and Dimensions - Model IHF100 | 15 |
| Specifications and Dimensions - Model IHF135 | 18 |
| Installation - Models IHF100 and IHF135 | 21 |
| Specifications and Dimensions - Model IHF165 | 22 |
| Installation - Model IHF165 | 25 |

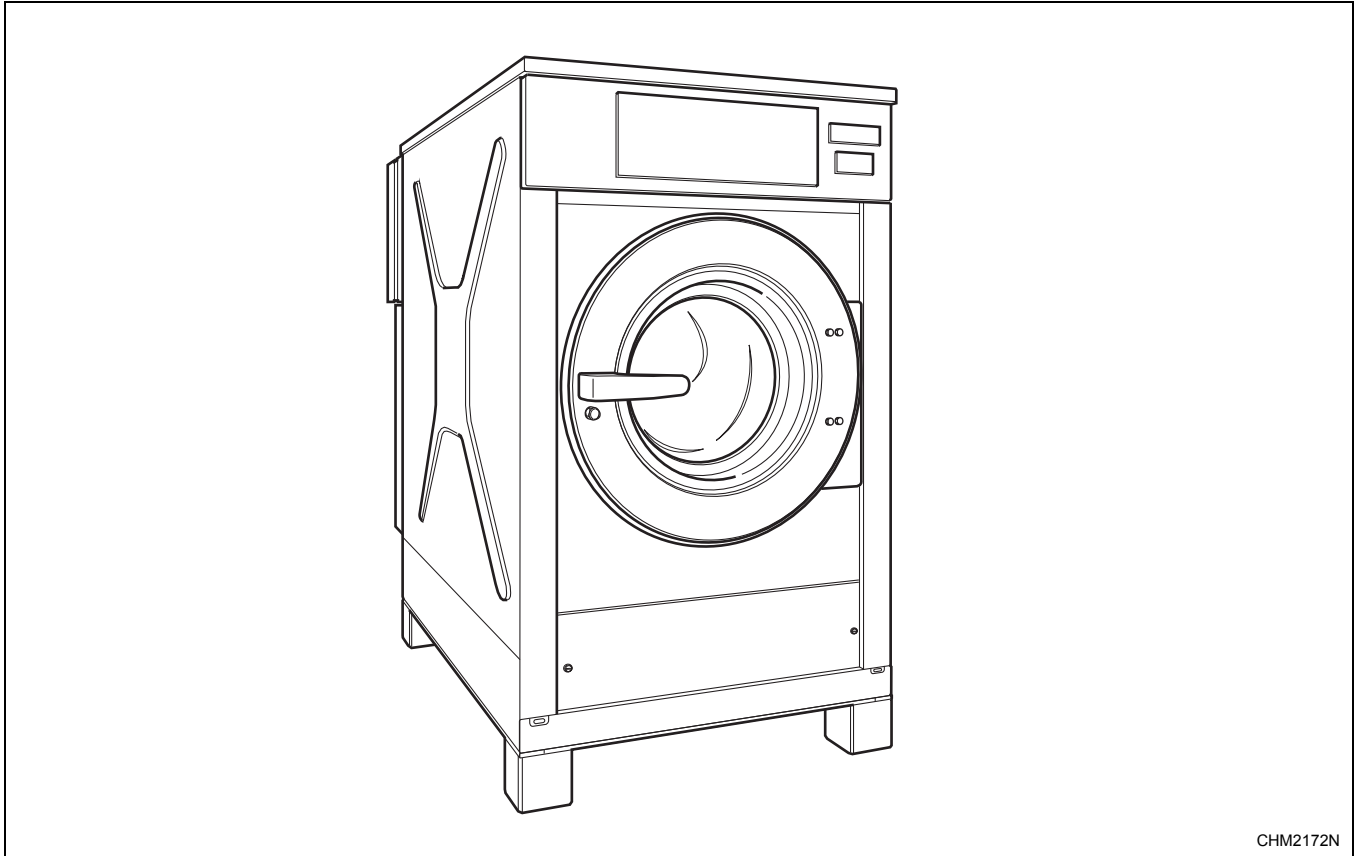
© Published by permission of the copyright owner.

All rights reserved. No part of the contents of this book may be reproduced or transmitted in any form or by any means without the expressed written consent of the publisher.

Washer-Extractors

Introduction

Model Identification - IHF Washer-Extractors



CHM2172N

Figure 1

| | | |
|--------|--------|--------|
| IHF033 | IHF075 | IHF165 |
| IHF045 | IHF100 | |
| IHF055 | IHF135 | |

Washer-Extractors

Specifications and Dimensions - Model IHF033

| | |
|--|---|
| Capacity (dry weight) Ratio (kg/l) | |
| 1:11 | 29 lbs. (13 kg) |
| 1:10 | 32 lbs. (14.5 kg) |
| 1:9 | 35 lbs. (16 kg) |
| Cylinder | |
| Cylinder diameter, in. (mm) | 26.8 (680) |
| Cylinder depth, in. (mm) | 15.76 (400) |
| Cylinder volume, ft. ³ (l) | 31.9 (145) |
| Cabinet | |
| Overall height, in. (mm) | 53.11 (1348) |
| Overall width, in. (mm) | 30.73 (780) |
| Overall depth, in. (mm) | 33 (840) |
| Front Loading | |
| Door opening size, in. (mm) | 15.6 (395) |
| Height of door bottom above floor, in (mm) | 22.26 (565) |
| Height of door center above floor, in (mm) | 30.34 (770) |
| Speed | |
| Wash | 10-50 tr/min - RPM |
| Distribution | 85 tr/min - RPM |
| Low Spin | 250-500 tr/min - RPM |
| High Spin | 500-1000 tr/min - RPM |
| G-factor | |
| Low Spin/High Spin | 94 / 380 |
| Motor (3 phase), 4p, 1470 tr/min | 2.95 HP/2.2 kW |
| Drain Valve, in. (mm) | 2 (51) |
| Water Supply (hard, soft, warm water), in. (mm) | .75 (19) |
| Direct Steam Heating | |
| Steam inlet connection size, in. (mm) | .38 (10) |
| Heating | |
| Electrical Heating (230/400 V) | 12/15/18 kW |
| Electrical Heating (400V) | 21/24 kW |
| Steam | 87 psi (6 bar) |
| Warm Water (without additional heating) | Not Applicable |
| Warm Water (with additional heating) | Not Applicable |
| Packing Dimensions (height X width X depth), in. (mm) | 58.86 X 33.46 X 36.61 (1495 X 850 X 930) |
| Weight | |
| Net weight, lbs. (kg) | 935 (424) |
| Gross weight, lbs. (kg) | 970 (440) |

Machine Dimensions - Model IHF033

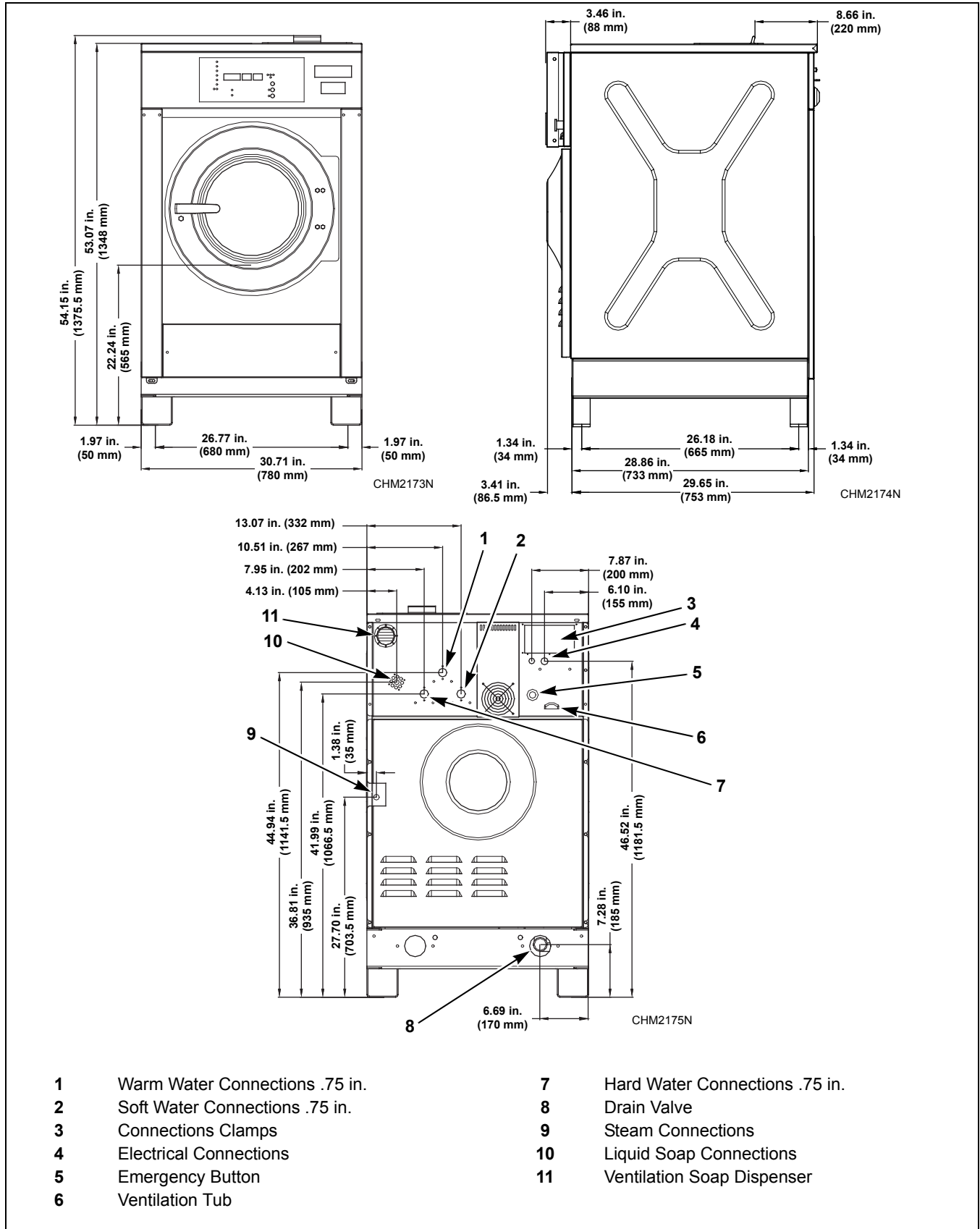


Figure 2

Washer-Extractors

Specifications and Dimensions - Model IHF045

| | |
|--|--|
| Capacity (dry weight) Ratio (kg/l) | |
| 1:11 | 36 lbs. (16.4 kg) |
| 1:10 | 40 lbs. (18 kg) |
| 1:9 | 44 lbs. (20 kg) |
| Cylinder | |
| Cylinder diameter, in. (mm) | 26.8 (680) |
| Cylinder depth, in. (mm) | 19.7 (500) |
| Cylinder volume, ft. ³ (l) | 39.8 (181) |
| Cabinet | |
| Overall height, in. (mm) | 53.11 (1348) |
| Overall width, in. (mm) | 30.73 (780) |
| Overall depth, in. (mm) | 37 (940) |
| Front Loading | |
| Door opening size, in. (mm) | 15.6 (395) |
| Height of door bottom above floor, in (mm) | 22.26 (565) |
| Height of door center above floor, in (mm) | 30.34 (770) |
| Speed | |
| Wash | 10-50 tr/min - RPM |
| Distribution | 85 tr/min - RPM |
| Low Spin | 250-500 tr/min - RPM |
| High Spin | 500-1000 tr/min - RPM |
| G-factor | |
| Low Spin/High Spin | 94 / 380 |
| Motor (3 phase), 4p, 1470 tr/min | 2.95 HP/2.2 kW |
| Drain Valve, in. (mm) | 2 (51) |
| Water Supply (hard, soft, warm water), in. (mm) | .75 (19) |
| Direct Steam Heating | |
| Steam inlet connection size, in. (mm) | .38 (10) |
| Heating | |
| Electrical Heating (230/400 V) | 12/15/18 kW |
| Electrical Heating (400V) | 21/24 kW |
| Steam | 87 psi (6 bar) |
| Warm Water (without additional heating) | Not Applicable |
| Warm Water (with additional heating) | Not Applicable |
| Packing Dimensions (height X width X depth), in. (mm) | 58.86 X 33.46 X 40.55 (1495 X 850 X 1030) |
| Weight | |
| Net weight, lbs. (kg) | 1001 (454) |
| Gross weight, lbs. (kg) | 1036 (470) |

Machine Dimensions - Model IHF045

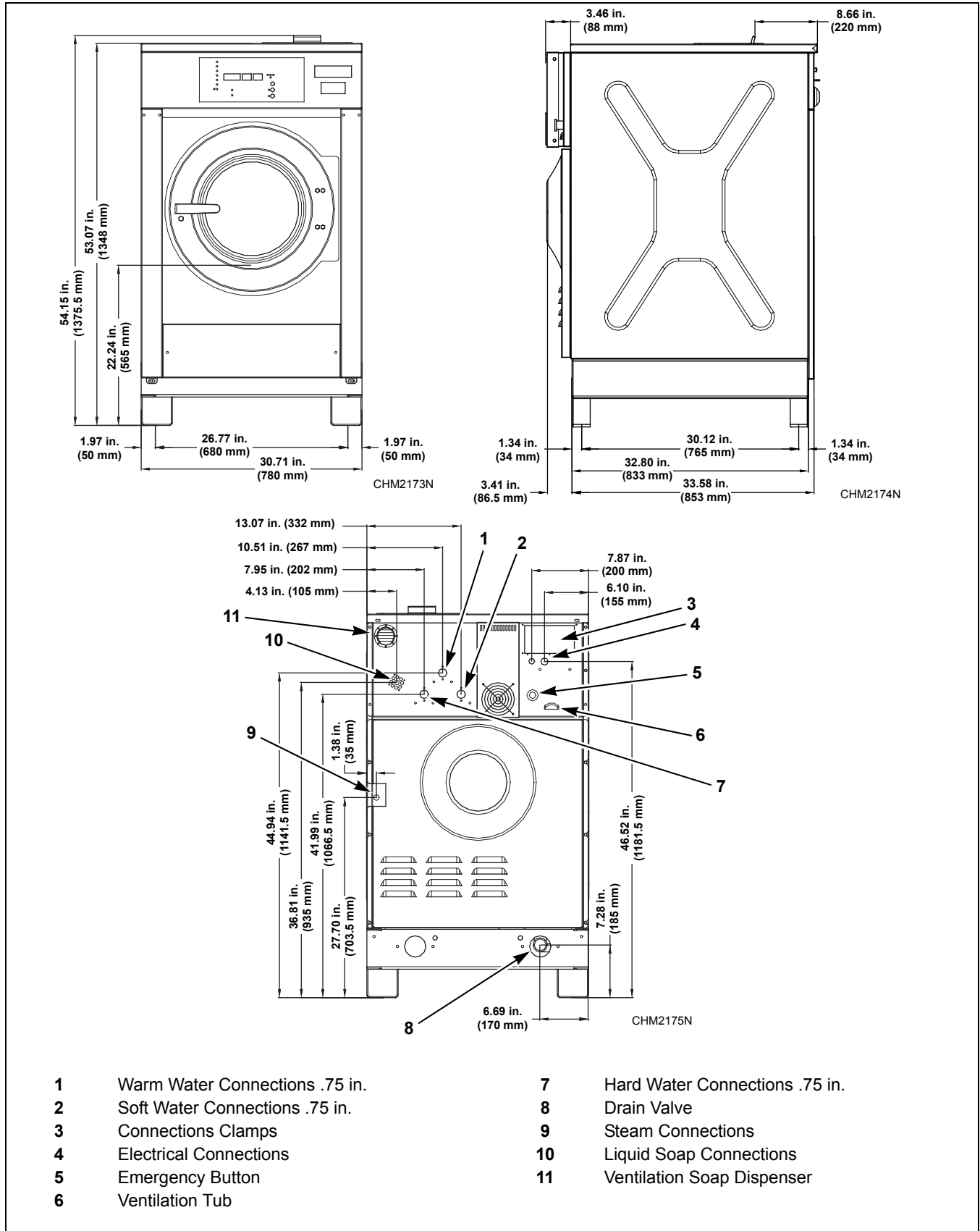


Figure 3

Washer-Extractors

Specifications and Dimensions - Model IHF055

| | |
|--|--------------------------------------|
| Capacity (dry weight) Ratio (kg/l) | |
| 1:11 | 47 lbs. (21.3 kg) |
| 1:10 | 52 lbs. (23.4 kg) |
| 1:9 | 57 lbs. (26 kg) |
| Cylinder | |
| Cylinder diameter, in. (mm) | 29.53 (750) |
| Cylinder depth, in. (mm) | 20.87 (530) |
| Cylinder volume, ft. ³ (l) | 51.5 (234) |
| Cabinet | |
| Overall height, in. (mm) | 59.25 (1505) |
| Overall width, in. (mm) | 35.43 (900) |
| Overall depth, in. (mm) | 38.78 (985) |
| Front Loading | |
| Door opening size, in. (mm) | 15.6 (395) |
| Height of door bottom above floor, in (mm) | 24.8 (630) |
| Height of door center above floor, in (mm) | 32.28 (820) |
| Speed | |
| Wash | 10-50 tr/min - RPM |
| Distribution | 100 tr/min - RPM |
| Low Spin | 250-500 tr/min - RPM |
| High Spin | 500-1000 tr/min - RPM |
| G-factor | |
| Low Spin/High Spin | 74 / 373 |
| Motor (3 phase), 4p, 1470 tr/min | 4.08 HP/3.0 kW |
| Drain Valve, in. (mm) | 3 (76) |
| Water Supply (hard, soft, warm water), in. (mm) | .75 (19) |
| Direct Steam Heating | |
| Steam inlet connection size, in. (mm) | .5 (13) |
| Heating | |
| Electrical Heating (230/400 V) | 12/15/18 kW |
| Electrical Heating (400V) | 24 kW |
| Steam | 87 psi (6 bar) |
| Warm Water (without additional heating) | Not Applicable |
| Warm Water (with additional heating) | Not Applicable |
| Packing Dimensions (height X width X depth), in. (mm) | 65 X 41 X 46 (1650 X 1020 X 1150) |
| Weight | |
| Net weight, lbs. (kg) | 1257 (570) |
| Gross weight, lbs. (kg) | 1389 (630) |

Machine Dimensions - Model IHF055

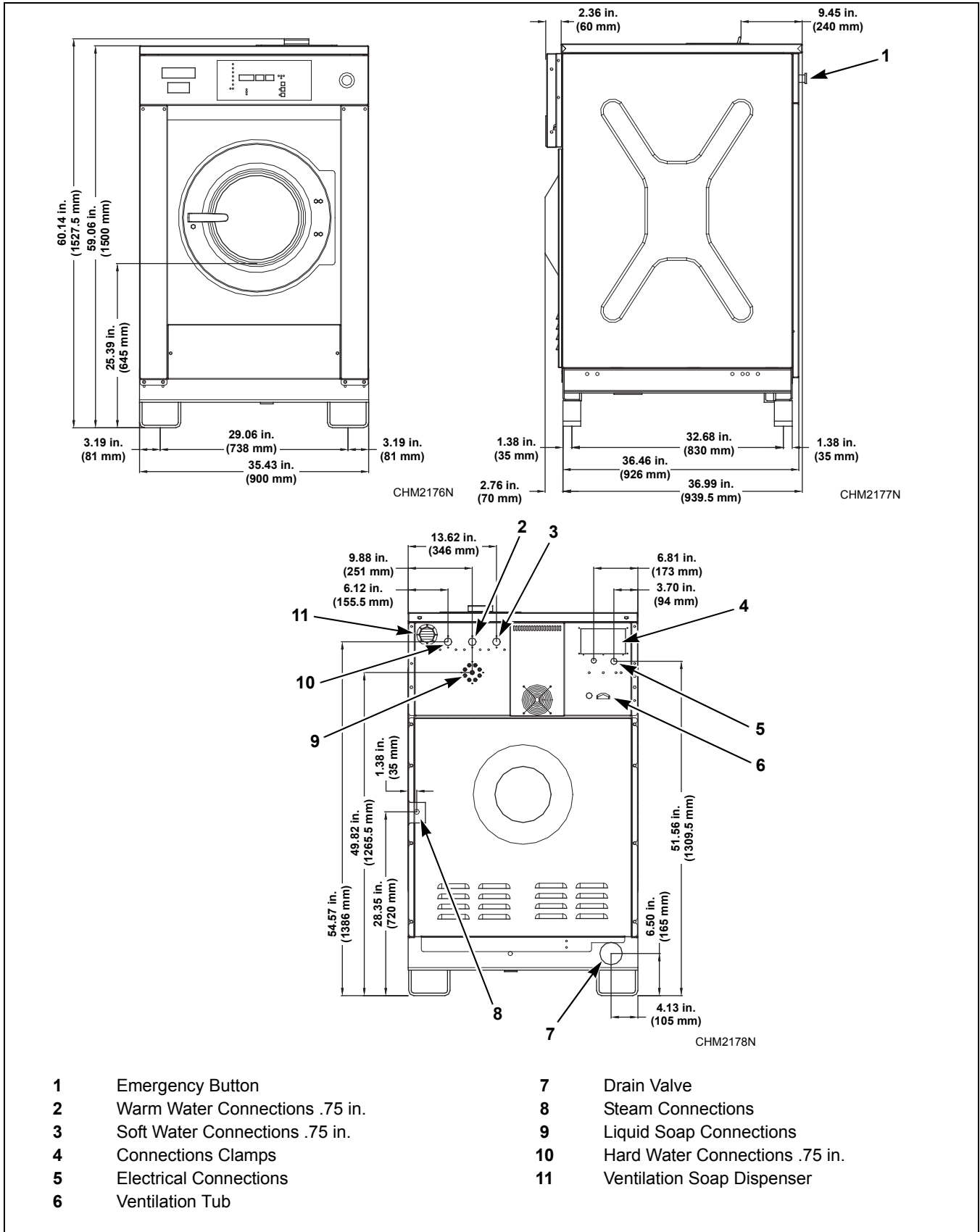


Figure 4

Mounting Bolt Hole Locations - Model IHF055

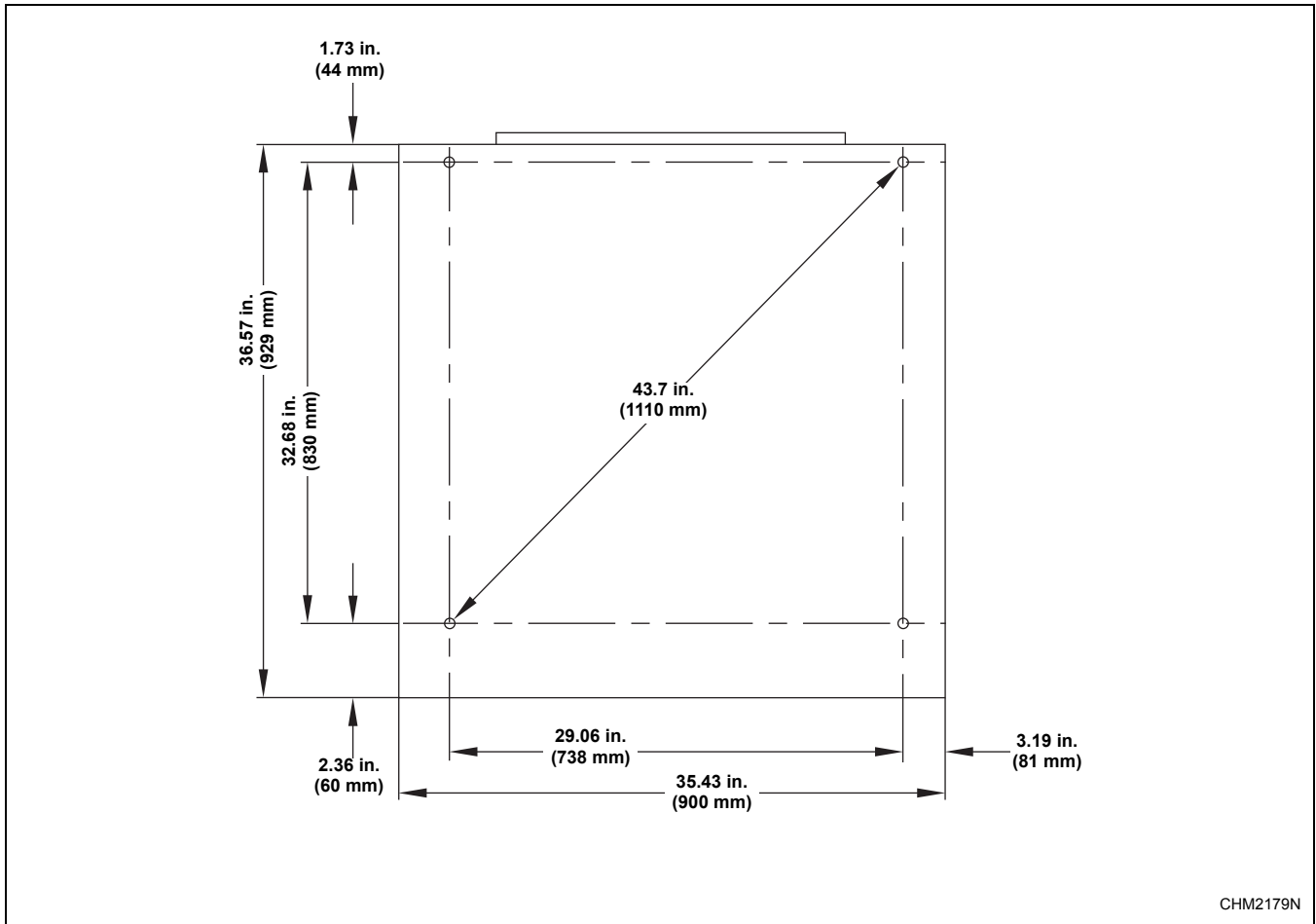


Figure 5

Installation - Models IHF033, IHF045 and IHF055

Ground

The machine must be placed on a flat, solid surface (metal base, concrete or solid ground). It is recommended that the machine be anchored on the provided places (1) in the base, especially in case of a plinth. Refer to *Figure 6*.

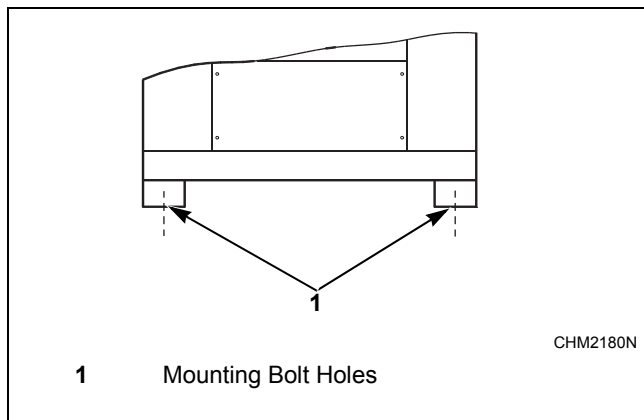


Figure 6

The machine must be placed entirely level. For easy maintenance it is recommended to keep a minimal distance of 23.62 in. (600 mm) between the wall and the back of the machine.

If several machines are placed next to each other, there should be a minimal distance of 1.18 in. (30 mm) between each machine.

Electrical Installation Requirements - Models IHF033, IHF045 and IHF055

| Machine with steam heating or boiler fed machines without additional electrical heating | | |
|--|-----------------|---------------------|
| | 220V 3AC | 380V 3AC + N |
| | 16 A | 16 A |
| Machine with electrical heating | | |
| | 220V 3AC | 380V 3AC + N |
| 9 kW | 25 A | 16 A |
| 12 kW | 40 A | 20 A |
| 15 kW | 50 A | 25 A |
| 18 kW | 50 A | 32 A |
| 21 kW | N/A | 40 A |
| 24 kW | N/A | 40 A |

Table 1

Washer-Extractors

Specifications and Dimensions - Model IHF075

| | |
|---|--------------------------------------|
| Capacity (dry weight) Ratio (kg/l) | |
| 1:11 | 62 lbs. (28 kg) |
| 1:10 | 67 lbs. (30.4 kg) |
| 1:9 | 73 lbs. (33.3 kg) |
| Cylinder | |
| Cylinder diameter, in. (mm) | 33.46 (850) |
| Cylinder depth, in. (mm) | 21.14 (537) |
| Cylinder volume, ft. ³ (l) | 66.9 (304) |
| Cabinet | |
| Overall height, in. (mm) | 60.23 (1530) |
| Overall width, in. (mm) | 41.73 (1060) |
| Overall depth, in. (mm) | 38.58 (980) |
| Front Loading | |
| Door opening size, in. (mm) | 15.55 (395) |
| Height of door bottom above floor, in (mm) | 24.80 (630) |
| Height of door center above floor, in (mm) | 32.28 (820) |
| Speed | |
| Wash | 10-50 tr/min - RPM |
| Distribution | 100 tr/min - RPM |
| Low Spin | 250-500 tr/min - RPM |
| High Spin | 500-1000 tr/min - RPM |
| G-factor | |
| Low Spin | 84 |
| High Spin | 383 |
| Motor (3 phase), 4p, 1470 tr/min | 5.36 HP/4.0 kW |
| Drain Valve, in. (mm) | |
| Depend-O-Drain | 3 (76) |
| Option | 2 (51) |
| Water Supply (hard, soft, hot water & cool-down), in. (mm) | .75 (19) |
| Direct Steam Heating | |
| Steam inlet connection size, in. (mm) | .5 (13) |
| Electrical | |
| Electrical Heating (220/380 V) | 18 kW |
| Electrical Heating (380V) | 18 kW - 24 kW - 30 kW |
| Steam | Not Applicable |
| Warm Water (without additional heating) | Not Applicable |
| Warm Water (with additional heating) | Not Applicable |
| Packing Dimensions (height X width X depth), in. (mm) | 68 X 46 X 48 (1730 X 1160 X 1230) |
| Weight | |
| Net weight, lbs. (kg) | 1907 (865) |
| Gross weight, lbs. (kg) | 2090 (948) |

Machine Dimensions - Model IHF075

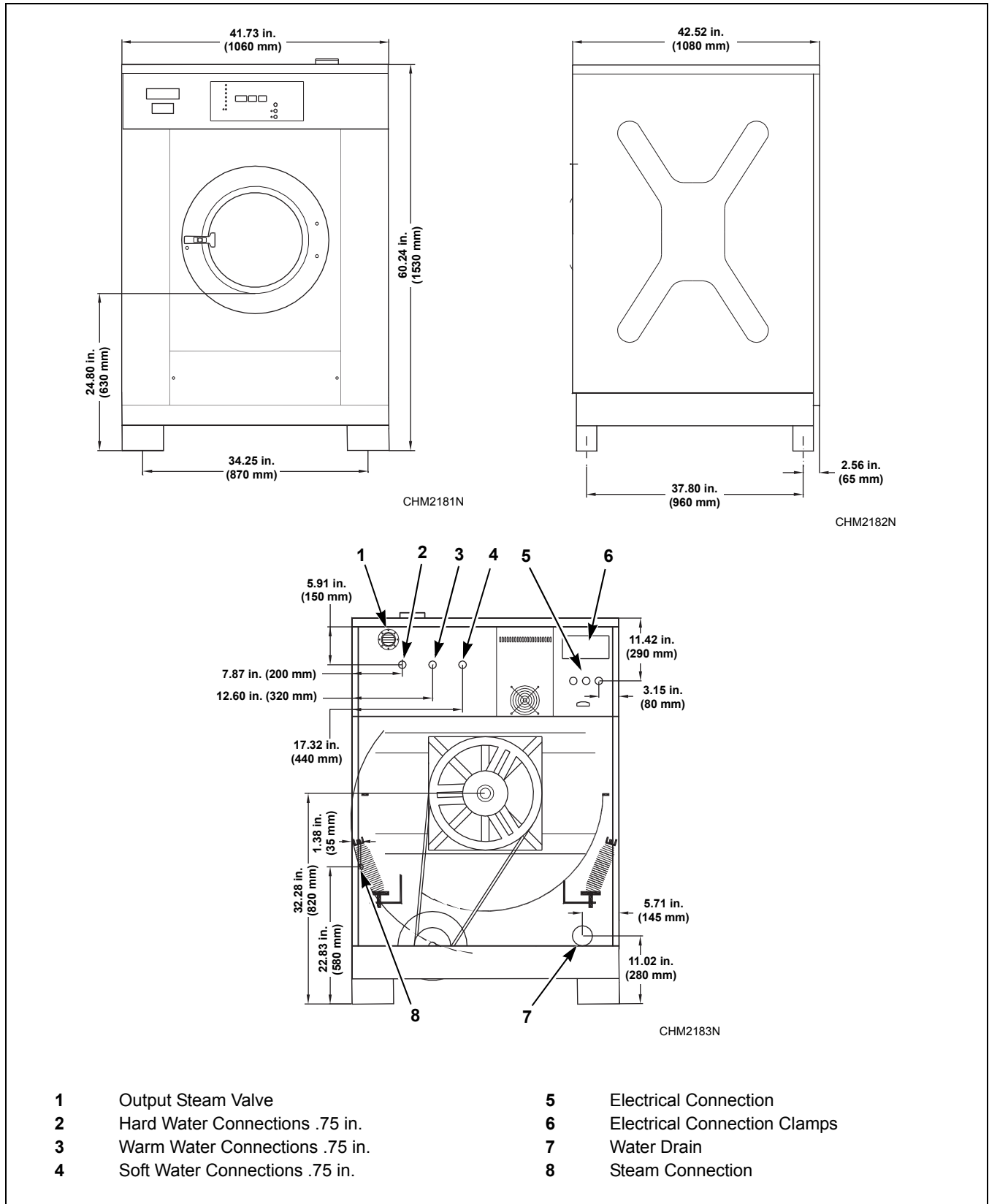


Figure 7

Mounting Bolt Hole Locations - Model IHF075

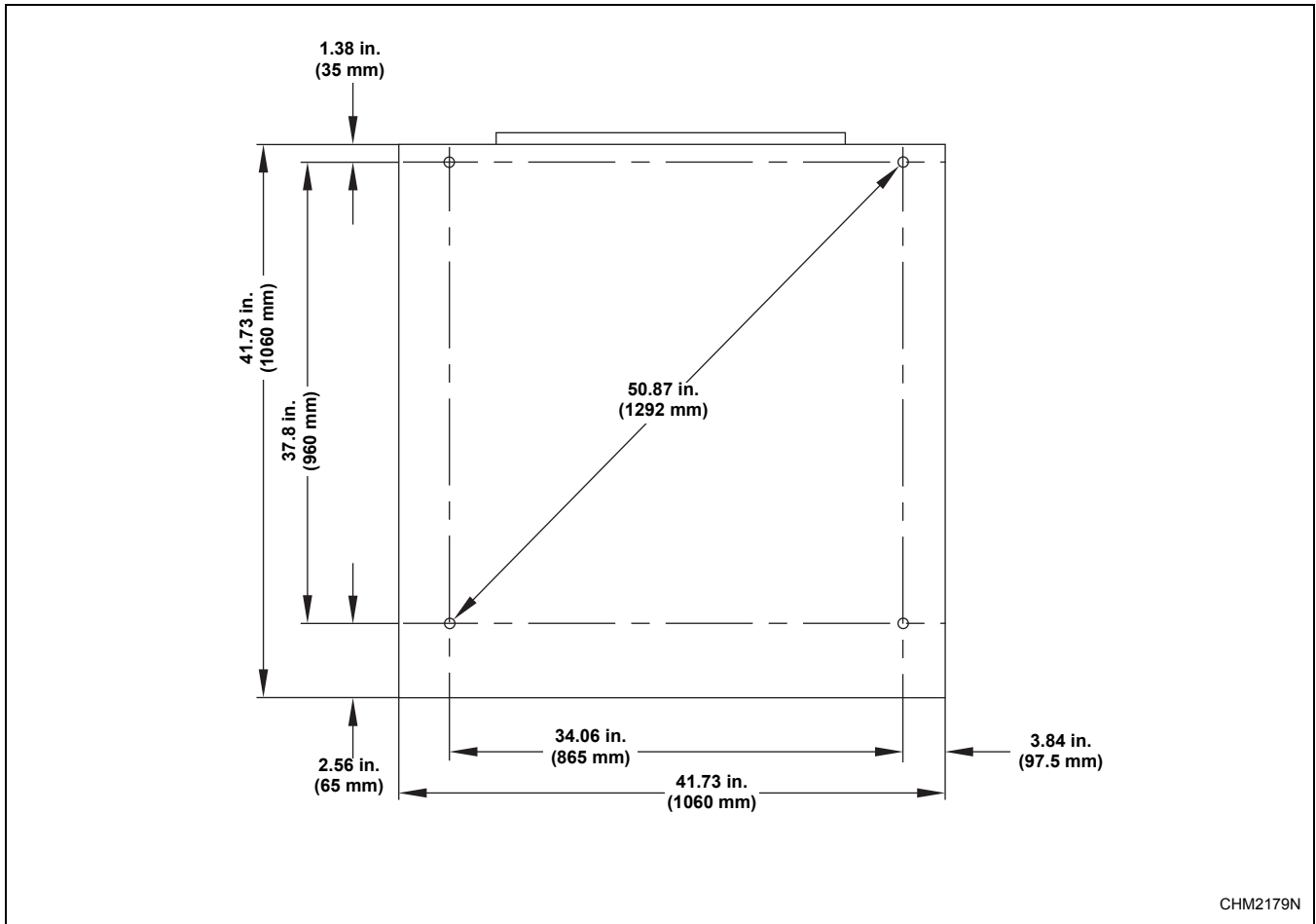


Figure 8

Installation - Model IHF075

Ground

The machine must be placed on a flat, solid surface (metal base, concrete or solid ground). It is recommended that the machine be anchored on the provided places (1) in the base, especially in case of a plinth. Refer to *Figure 9*.

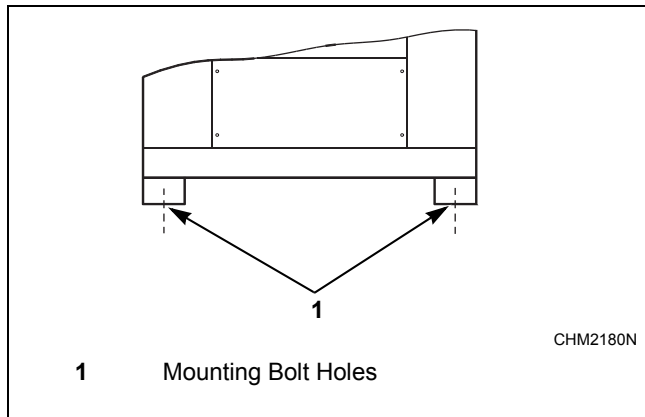


Figure 9

The machine must be placed entirely level. For easy maintenance it is recommended to keep a minimal distance of 23.62 in. (600 mm) between the wall and the back of the machine.

If several machines are placed next to each other, there should be a minimal distance of 1.18 in. (30 mm) between each machine.

Electrical Installation Requirements - Model IHC075

| Machine with steam heating or boiler fed machines without additional electrical heating | | |
|--|-----------------|---------------------|
| | 220V 3AC | 380V 3AC + N |
| | 16 A | 16 A |
| Machine with electrical heating | | |
| | 220V 3AC | 380V 3AC + N |
| 18 kW | 50 A | 32 A |
| 21 kW | N/A | 40 A |
| 24 kW | N/A | 40 A |
| 30 kW | N/A | 50 A |

Table 2

Washer-Extractors

Specifications and Dimensions - Model IHF100

| | |
|--|--------------------------------------|
| Capacity (dry weight) Ratio (kg/l) | |
| 1:11 | 90.17 lbs. (40.9 kg) |
| 1:10 | 99.21 lbs. (45 kg) |
| 1:9 | 110.23 lbs. (50 kg) |
| Cylinder | |
| Cylinder diameter, in. (mm) | 38.58 (980) |
| Cylinder depth, in. (mm) | 23.50 (597) |
| Cylinder volume, ft. ³ (l) | 118.9 (450) |
| Cabinet | |
| Overall height, in. (mm) | 76.77 (1950) |
| Overall width, in. (mm) | 47.24 (1200) |
| Overall depth, in. (mm) | 46.85 (1190) |
| Front Loading | |
| Door opening size, in. (mm) | 15.55 (395) |
| Height of door bottom above floor, in (mm) | 31.50 (800) |
| Height of door center above floor, in (mm) | 39.37 (1000) |
| Speed | |
| Wash | 10-50 tr/min - RPM |
| Distribution | 100 tr/min - RPM |
| Spin | 250-400 tr/min - RPM |
| High Spin | 500-800 tr/min - RPM |
| G-factor | |
| Spin | 87 |
| High Spin | 350 |
| Motor (3 phase), 4p, 1470 tr/min | 10.05 HP/7.5 kW |
| Drain Valve, in. (mm) | 3 (76) |
| Water Supply (hard, soft, hot water), in. (mm) | .75 (19) |
| Direct Steam Heating | |
| Steam inlet connection size, in. (mm) | .5 (13) |
| Electrical | |
| Electrical Heating (220/380 V) | 27 kW |
| Electrical Heating (380 V) | 36 kW |
| Steam | Not Applicable |
| Warm Water (without additional heating) | Not Applicable |
| Warm Water (with additional heating) | Not Applicable |
| Packing Dimensions (height X width X depth), in. (mm) | |
| Without Liquid Soap Pumps | 83 X 53 X 56 (2100 X 1350 X 1430) |
| With Liquid Soap Pumps | 83 X 61 X 56 (2100 X 1550 X 1430) |
| Weight | |
| Net weight, lbs. (kg) | 2205 (1000) |
| Gross weight, lbs. (kg) | 2646 (1200) |

Machine Dimensions - Model IHF100

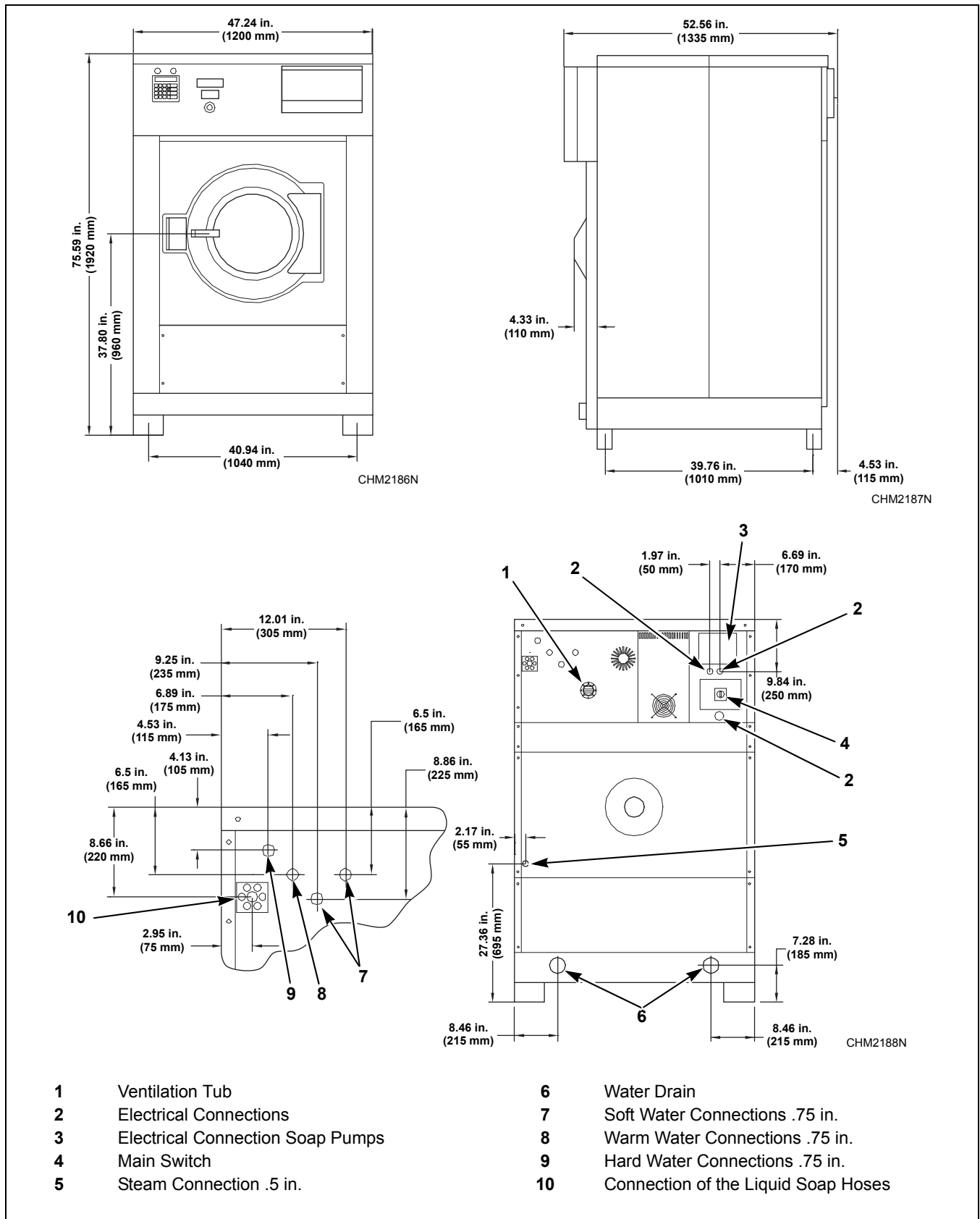


Figure 10

Mounting Bolt Hole Locations - Model IHF100

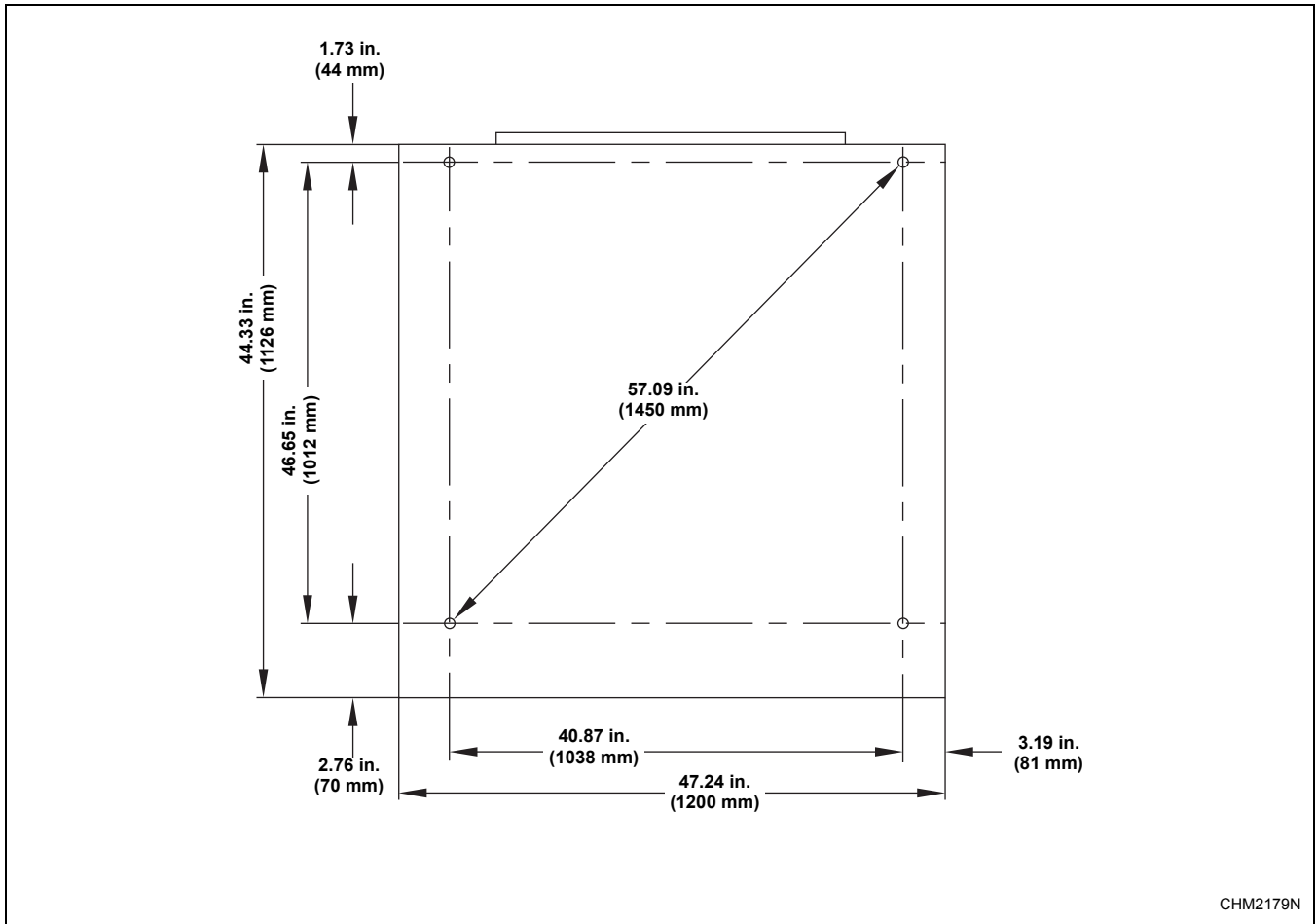


Figure 11

Specifications and Dimensions - Model IHF135

| | |
|--|--------------------------------------|
| Capacity (dry weight) Ratio (kg/l) | |
| 1:11 | 114 lbs. (51.8 kg) |
| 1:10 | 126 lbs. (57 kg) |
| 1:9 | 140 lbs. (63.3 kg) |
| Cylinder | |
| Cylinder diameter, in. (mm) | 38.58 (980) |
| Cylinder depth, in. (mm) | 30.51 (775) |
| Cylinder volume, ft. ³ (l) | 150.6 (570) |
| Cabinet | |
| Overall height, in. (mm) | 76.77 (1950) |
| Overall width, in. (mm) | 47.24 (1200) |
| Overall depth, in. (mm) | 55.31 (1405) |
| Front Loading | |
| Door opening size, in. (mm) | 15.55 (395) |
| Height of door bottom above floor, in (mm) | 31.50 (800) |
| Height of door center above floor, in (mm) | 39.37 (1000) |
| Speed | |
| Wash | 10-50 tr/min - RPM |
| Distribution | 100 tr/min - RPM |
| Spin | 250-400 tr/min - RPM |
| High Spin | 500-800 tr/min - RPM |
| G-factor | |
| Spin | 87 |
| High Spin | 350 |
| Motor (3 phase), 4p, 1470 tr/min | 10.05 HP/7.5 kW |
| Drain Valve, in. (mm) | 3 (76) |
| Water Supply (hard, soft, hot water), in. (mm) | .75 (19) |
| Direct Steam Heating | |
| Steam inlet connection size, in. (mm) | .5 (13) |
| Electrical | |
| Electrical Heating (220/380 V) | 27 kW |
| Electrical Heating (380 V) | 36 kW |
| Steam | Not Applicable |
| Warm Water (without additional heating) | Not Applicable |
| Warm Water (with additional heating) | Not Applicable |
| Packing Dimensions (height X width X depth), in. (mm) | |
| Without Liquid Soap Pumps | 83 X 53 X 64 (2100 X 1350 X 1630) |
| With Liquid Soap Pumps | 83 X 53 X 64 (2100 X 1550 X 1630) |
| Weight | |
| Net weight, lbs. (kg) | 2425 (1100) |
| Gross weight, lbs. (kg) | 2866 (1300) |

Washer-Extractors

Machine Dimensions - Model IHF135

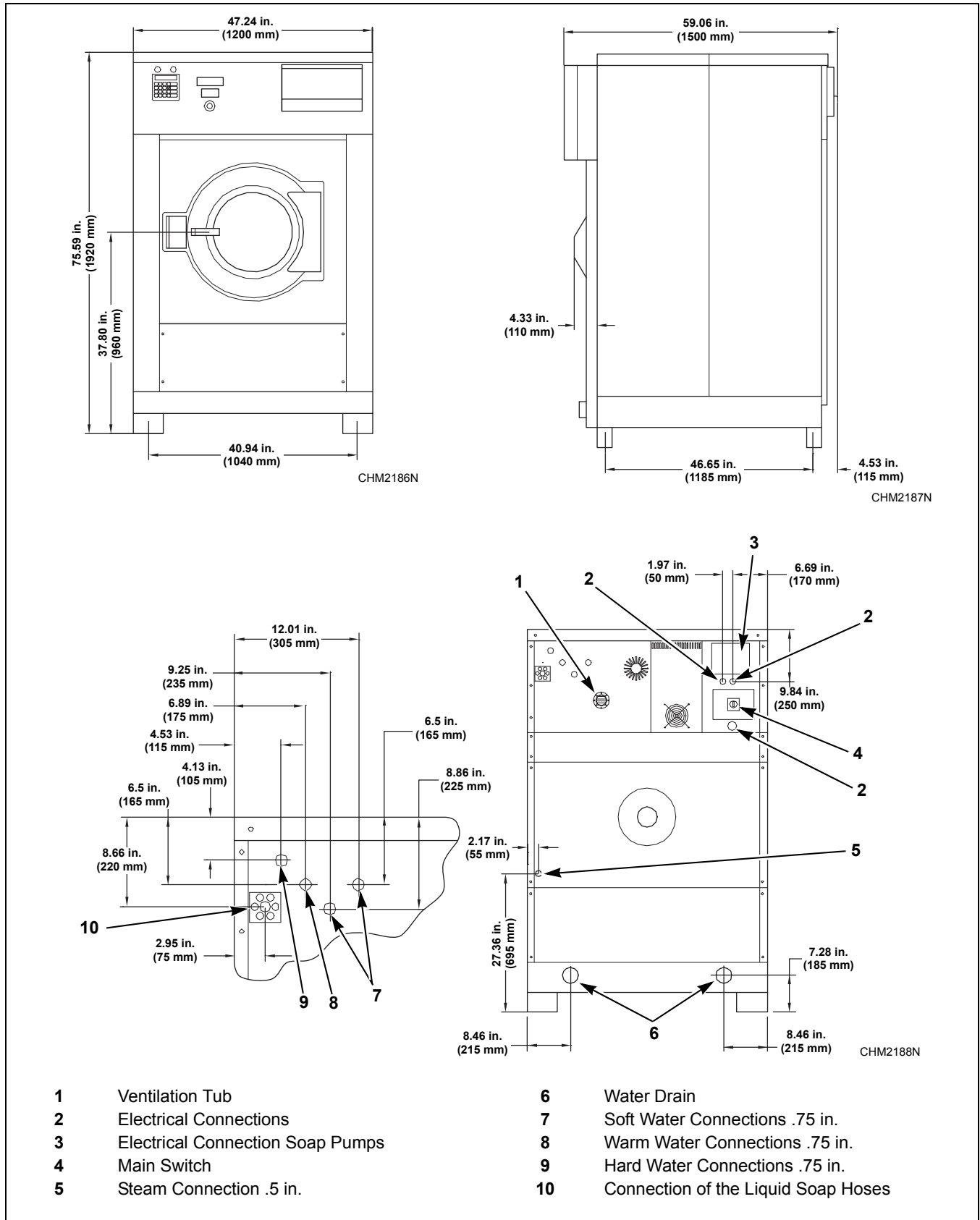


Figure 12

Mounting Bolt Hole Locations - Model IHF135

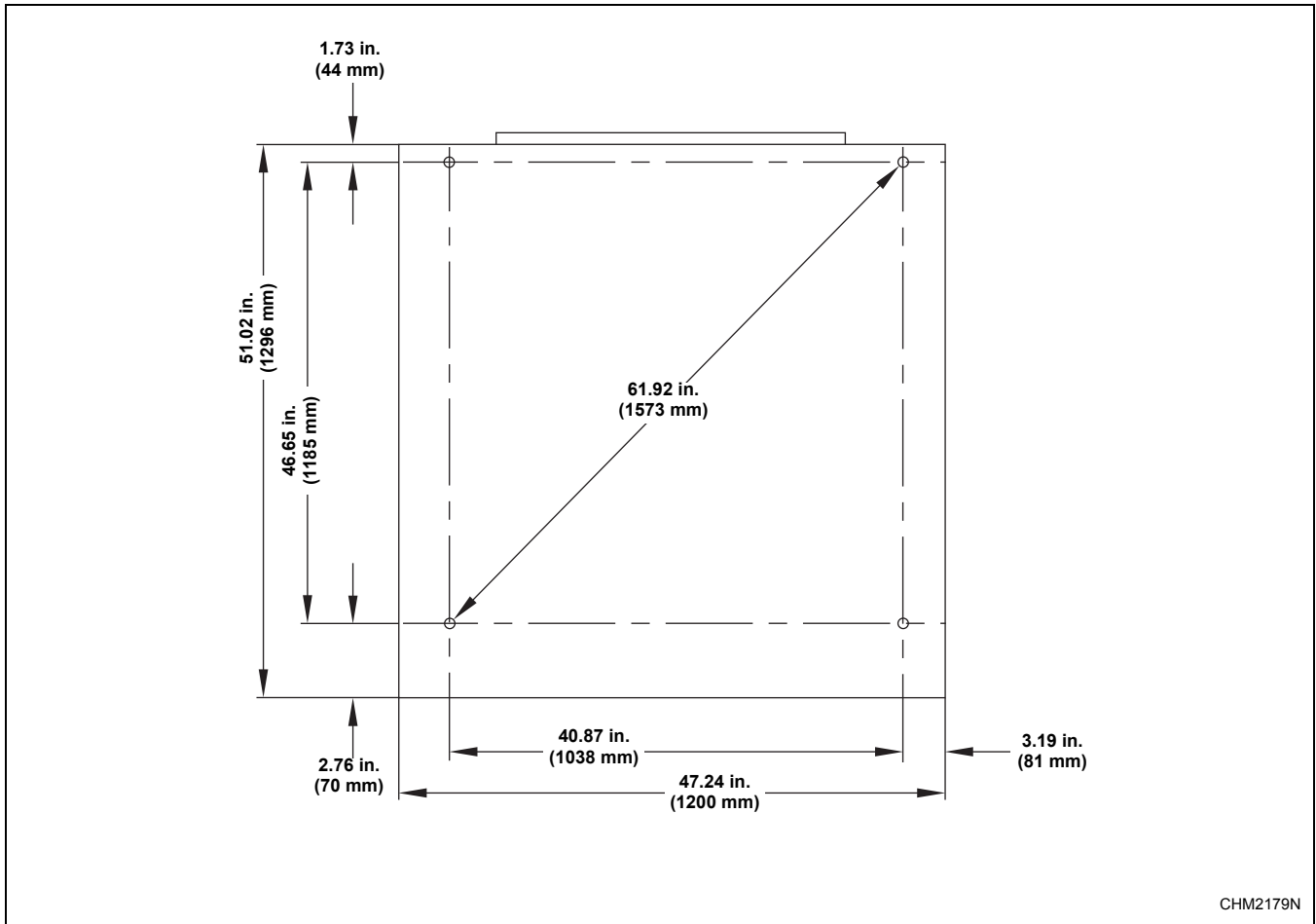


Figure 13

Washer-Extractors

Installation - Models IHF100 and IHF135

Ground

The machine must be placed on a flat, solid surface (metal base, concrete or solid ground). It is recommended that the machine be anchored (M16) on the provided places (1) in the base, especially in case of a plinth. Refer to *Figure 14*.

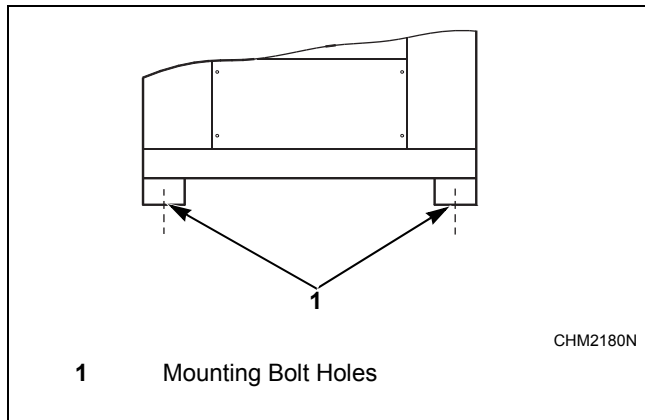


Figure 14

The machine must be placed entirely level. For easy maintenance it is recommended to keep a minimal distance of 23.62 in. (600 mm) between the wall and the back of the machine.

If several machines are placed next to each other, there should be a minimal distance of 1.18 in. (30 mm) between each machine.

Electrical Installation Requirements - Models IHF100 and IHF135

| Machine without electrical heating | | |
|---|-----------------|---------------------|
| | 220V 3AC | 380V 3AC + N |
| | 20 A | 20 A |
| Machine with electrical heating | | |
| | 220V 3AC | 380V 3AC + N |
| 27 kW | 80 A | 63 A |
| 36 kW | N/A | 80 A |

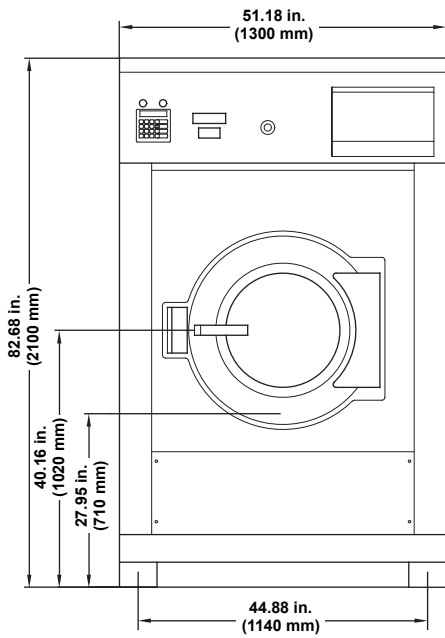
Table 3

Specifications and Dimensions - Model IHF165

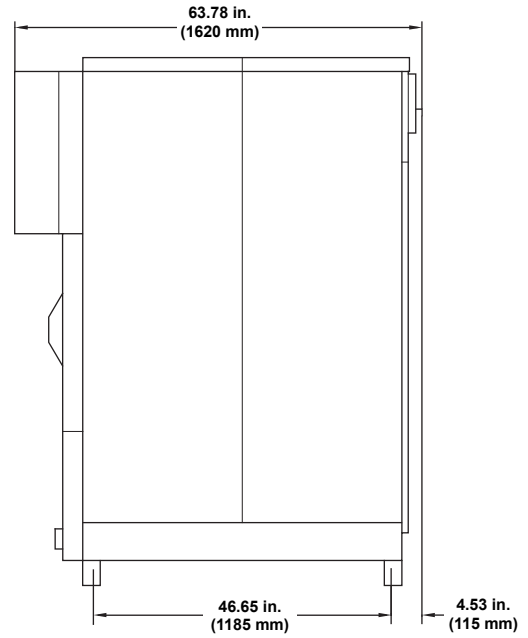
| | |
|--|---|
| Capacity (dry weight) Ratio (kg/l) | |
| 1:11 | 147 lbs. (66.5 kg) |
| 1:10 | 160 lbs. (73 kg) |
| 1:9 | 180 lbs. (81.5 kg) |
| Cylinder | |
| Cylinder diameter, in. (mm) | 43.11 (1095) |
| Cylinder depth, in. (mm) | 30.51 (775) |
| Cylinder volume, ft. ³ (l) | 192.8 (730) |
| Cabinet | |
| Overall height, in. (mm) | 82.68 (2100) |
| Overall width, in. (mm) | 51.18 (1300) |
| Overall depth, in. (mm) | 63.78 (1620) |
| Front Loading | |
| Door opening size, in. (mm) | 24.49 (622) |
| Height of door bottom above floor, in (mm) | 27.95 (710) |
| Height of door center above floor, in (mm) | 40.16 (1020) |
| Speed | |
| Wash | 10-50 tr/min - RPM |
| Distribution | 100 tr/min - RPM |
| Spin | 250-750 tr/min - RPM |
| G-factor | |
| Spin | 344 |
| Motor (3 phase), 4p, 1470 tr/min | 15.42 HP/11.5 kW |
| Drain Valve, in. (mm) | 3 (76) |
| Water Supply (hard, soft, hot water), in. (mm) | 1 (25) |
| Direct Steam Heating | |
| Steam inlet connection size, in. (mm) | .75 (19) |
| Electrical | |
| Electrical Heating (240 V) | 27 kW |
| Electrical Heating (400V) | 36 kW |
| Steam | Not Applicable |
| Warm Water (without additional heating) | Not Applicable |
| Warm Water (with additional heating) | Not Applicable |
| Packing Dimensions (height X width X depth), in. (mm) | 90.55 X 57.09 X 67.72 (2300 X 1450 X 1720) |
| Weight | |
| Net weight, lbs. (kg) | 4630 (2100) |
| Gross weight, lbs. (kg) | 5181 (2350) |

Washer-Extractors

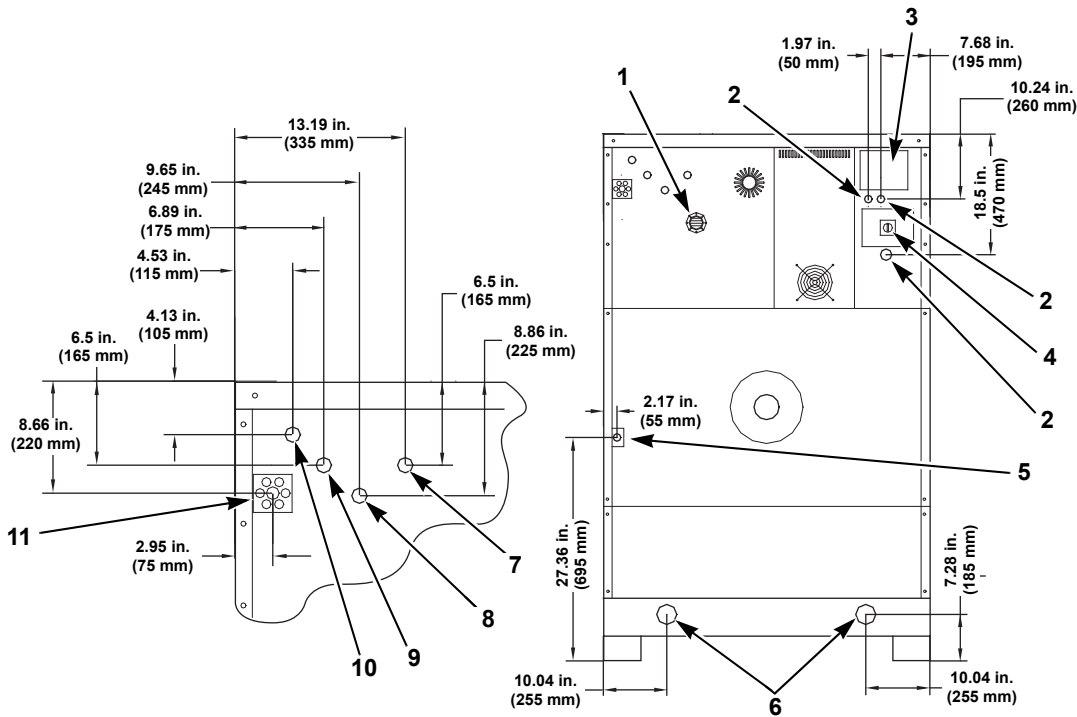
Machine Dimensions - Model IHF165



CHM2195N



CHM2196N



CHM2197N

- | | | | |
|---|-----------------------------------|----|--------------------------------|
| 1 | Ventilation Tub | 7 | Soft Water Connections 3/4 in. |
| 2 | Electrical Input | 8 | Soft Water Connections 1 in. |
| 3 | Electrical Connection Liquid Soap | 9 | Warm Water Connections 1 in. |
| 4 | Electrical Connection | 10 | Hard Water Connections 1 in. |
| 5 | Steam Connection | 11 | Input Liquid Soap |
| 6 | Water Drain | | |

Figure 15

Mounting Bolt Hole Locations - Model IHF165

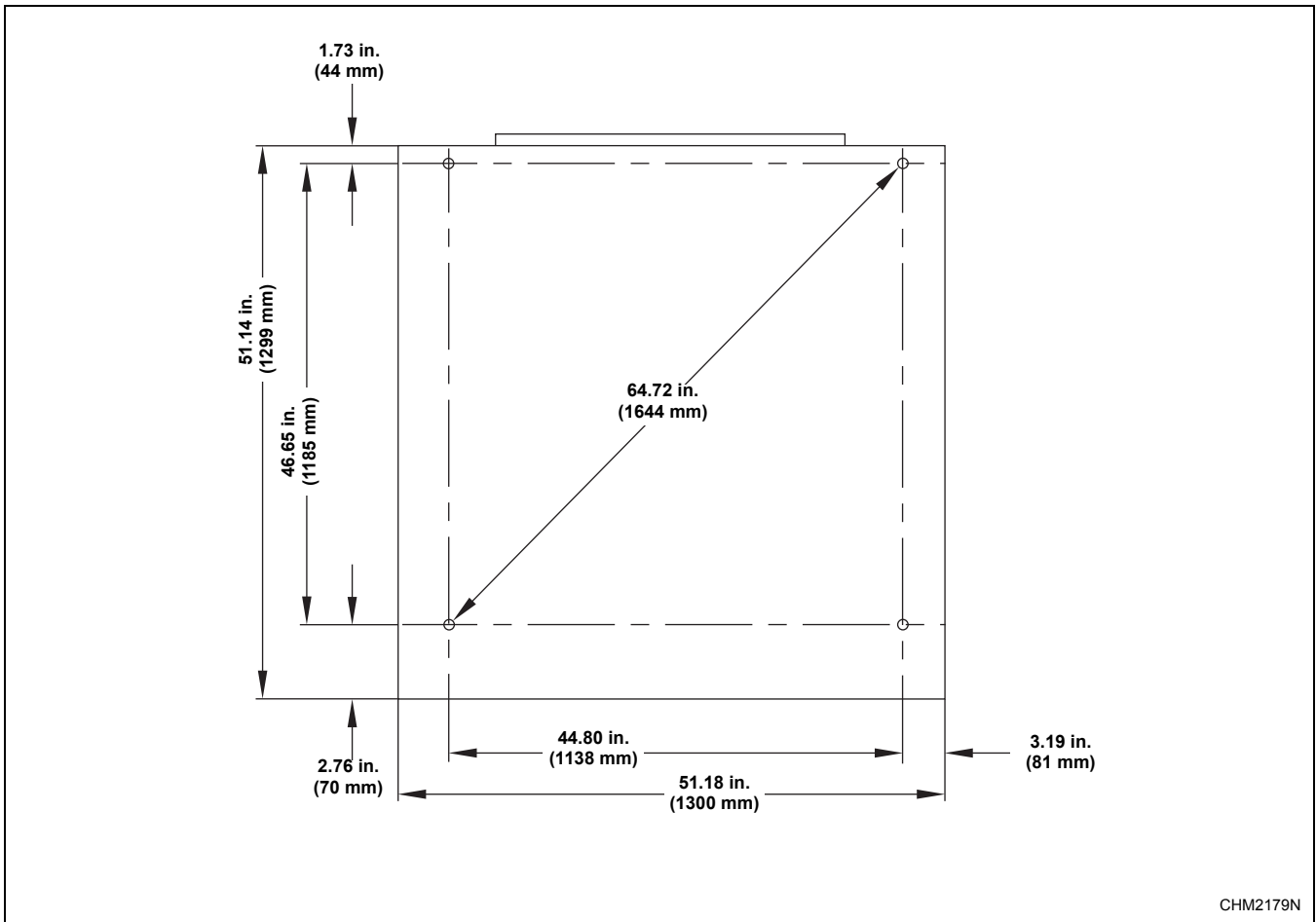


Figure 16

Washer-Extractors

Installation - Model IHF165

Ground

The machine must be placed on a flat, solid surface (metal base, concrete or solid ground). It is recommended that the machine be anchored (M16) on the provided places (1) in the base, especially in case of a plinth (See Mounting Bolt Hole Locations). Refer to *Figure 17*.

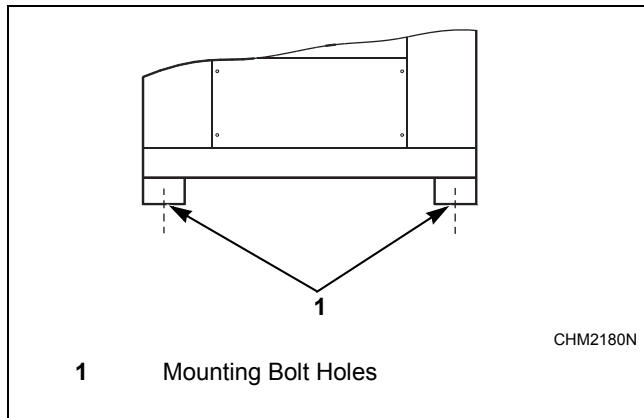


Figure 17

The machine must be placed entirely level. For easy maintenance it is recommended to keep a minimal distance of 23.62 in. (600 mm) between the wall and the back of the machine.

If several machines are placed next to each other, there should be a minimal distance of 1.18 in. (30 mm) between each machine.

Electrical Installation Requirements - Model IHF165

| Machine without electrical heating | | |
|---|-----------------|---------------------|
| | 240V 3AC | 400V 3AC + N |
| | 40 A | 25 A |
| Machine with electrical heating | | |
| | 240V 3AC | 400V 3AC + N |
| 27 kW | 125 A | 63 A |
| 36 kW | N/A | 80 A |

Table 4