



# IY20, IY25 & IY30

SOFTMOUNT WASHER-EXTRACTOR

FOR ON-PREMISES LAUNDRY APPLICATIONS

INDUSTRIAL  
BY DESIGN

## Dependable

- Stainless steel drum, tub and cabinet
- Lightweight frame engineered for heavy-duty performance
- Wideset door hinge for easy closing
- Ozone compatible seal system
  - » Keeps out humidity and water from the bearings
  - » Keeps the grease in the bearings

## Efficient

- Perforated lifting ribs provide more mechanical action for superior wash quality
- Standard inverter drive
  - » Washing and spin speed freely programmable
  - » Smooth transition from wash to spin cycle
  - » High GForce (up to 400G)
  - » Low sound level
- Eco washing programs – significantly reduces water and electricity consumption
- Water reuse capable
- Steam heat available

## Intuitive

- Aries
  - » Easy to use
  - » 15 programs
- Aries Elite
  - » Fully Programmable
  - » 99 programs
  - » Multi-lingual
  - » Networking available
  - » USB connection on back panel for easy programming
- Industry leading, very large door opening for easy loading & unloading
- Front serviceable and quick access to all parts
- Practical soap dispenser
  - » Easy front access
  - » 4 compartments
  - » Unbreakable rubberized lid
- 8 liquid soap signals



ERGONOMICAL  
CONSTRUCTION



LARGE DOOR  
OPENING



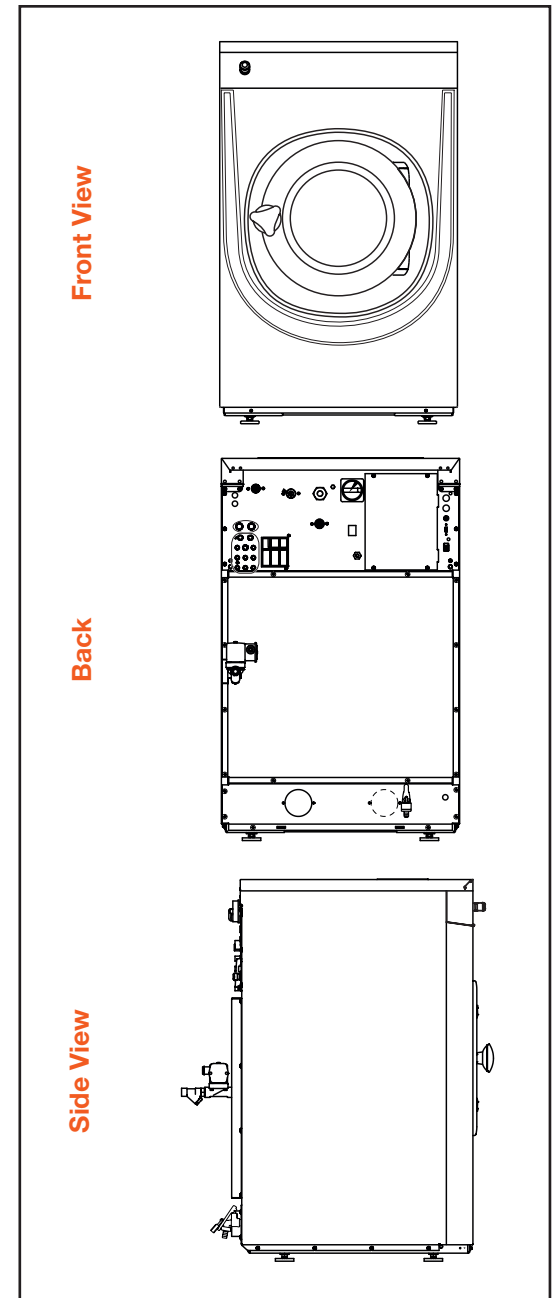
LOW WATER  
CONSUMPTION



LOW ENERGY  
CONSUMPTION

# SOFTMOUNT WASHER-EXTRACTOR

Specifications	IY20	IY25	IY30
Control	Aries, Aries Elite	Aries, Aries Elite	Aries, Aries Elite
Capacity - lb (kg)	20 (8)	25 (11)	30 (14)
Dimensions	-	-	-
Width - in (mm)	27 15/16 (710)	31 5/16 (795)	31 5/16 (795)
Depth - in (mm)	31 1/8 (790)	31 5/16 (795)	37 3/16 (945)
Height - in (mm)	43 7/8 (1115)	48 1/4 (1225)	48 1/4 (1225)
Cylinder Diameter - in (mm)	20 7/8 (530)	24 3/8 (620)	24 3/8 (620)
Cylinder Depth - in (mm)	13 3/4 (350)	13 3/4 (350)	17 3/4 (450)
Cylinder Volume - cu. ft. (liters)	2.6 (75)	3.7 (105)	4.8 (135)
Door Opening Size - in (mm)	13 (330)	16 1/8 (410)	16 1/8 (410)
Door Bottom to Floor - in (mm)	13 3/4 (349)	13 1/2 (342)	13 1/2 (342)
Wash Speed - RPM	49	49	49
Extract Speed - RPM	1165	1075	1075
Extract G-Force	400	400	400
Water Inlet Conn. - in (mm)	2 x 3/4 (19)	2 x 3/4 (19)	2 x 3/4 (19)
Steam Inlet Conn. - in (mm)	1/2 (13)	1/2 (13)	1/2 (13)
Drain Conn. Size - in (mm)	3 (76)	3 (76)	3 (76)
Motor Size - HP (kW)	1.00 (0.75)	1.48 (1.10)	2.01 (1.50)
Voltage/Hz/Phase Circuit	200-240V 50/60Hz 1/3ph	200-240V 50/60Hz 1/3ph	200-240V 50/60Hz 1/3ph
Shipping Dimensions	-	-	-
Height - in (mm)	49 (1245)	52 15/16 (1345)	52 15/16 (1345)
Width - in (mm)	29 1/2 (750)	32 7/8 (835)	32 7/8 (835)
Depth - in (mm)	33 1/16 (840)	33 1/16 (840)	38 3/4 (985)
Net Weight - lb (kg)	408 (185)	463 (210)	563 (255)
Shipping Weight - lb (kg)	441 (200)	518 (235)	606 (275)
Agency Approvals	CSA	CSA	CSA



For the most accurate information, the installation guide should be used for all design and construction purposes. Due to continuous product improvements, design and specifications subject to change without notice. The quality management system of Alliance Laundry Systems' Czech facility has been registered to ISO 14001:2005 and 9001:2009.

©Copyright 2015 Alliance Laundry Systems LLC

Alliance Laundry Systems LLC  
 Shepard Street  
 Ripon, WI 54971